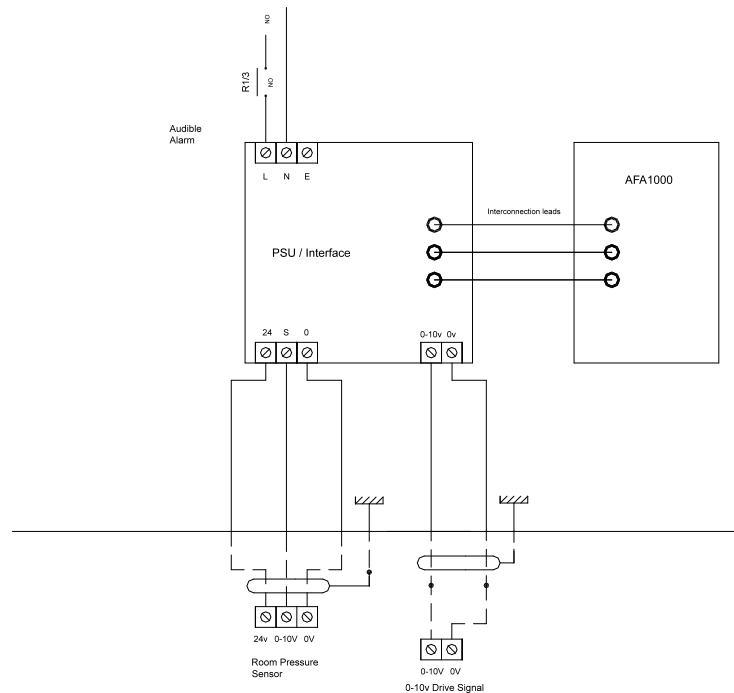




Cleanroom Pressure Controller

- ✔ Full PID loop control
- ✔ Easy to use
- ✔ Control room, duct pressure or velocity
- ✔ Damper motor or motor inverter control
- ✔ Stand alone system
- ✔ Door open input (freeze control output)
- ✔ Easy to install
- ✔ Audible/visual alarm option
- ✔ SMS text message alarm option (on pressure loss)



All technickon products are manufactured and tested prior to dispatch and are covered by a 12 month warranty from the dispatch date. Full operation and maintenance instructions are supplied as standard with all technickon products. If you require assistance in selecting the best equipment to suit your requirement please do not hesitate to contact us