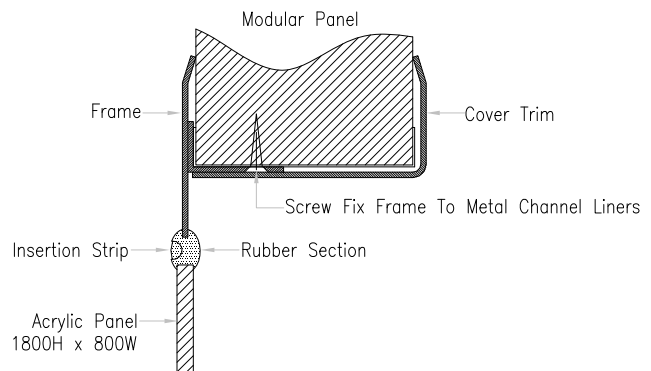
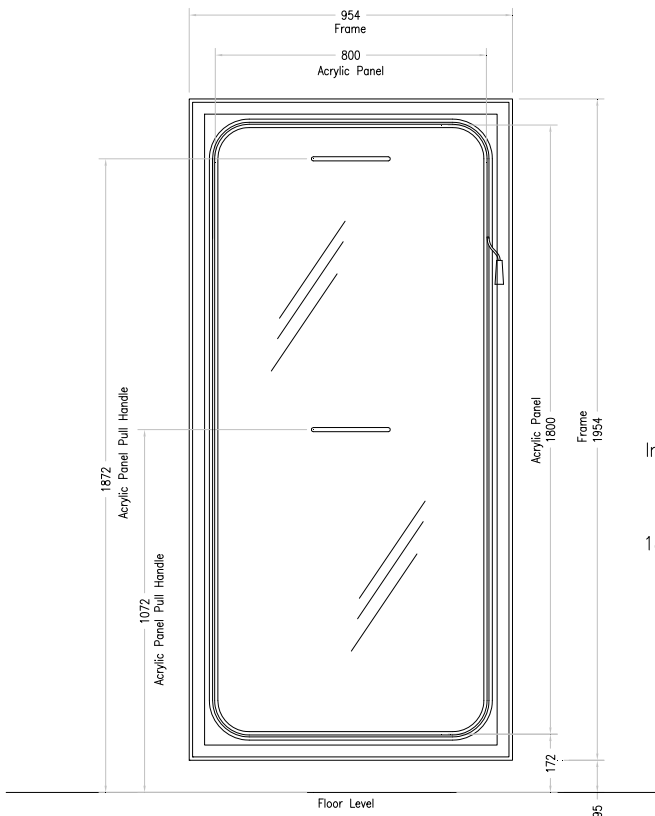




Cleanroom Emergency Escape Panel

- Flush clean finish on the cleanroom side
- Sealed to prevent pressure loss
- Clear or coloured acrylic removable panel
- Trespa panel option
- Ease of egress during escape
- Integration of speech panels
- Two stainless steel handles
- Easy to install
- Stainless steel or powder coated frame
- Fits into any type of partition



All technickon products are manufactured and tested prior to dispatch and are covered by a 12 month warranty from the dispatch date. Full operation and maintenance instructions are supplied as standard with all technickon products. If you require assistance in selecting the best equipment to suit your requirement please do not hesitate to contact us