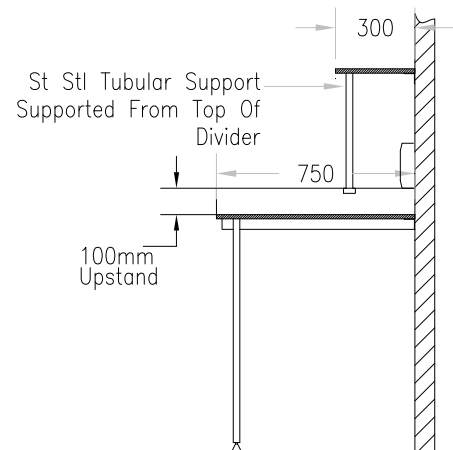
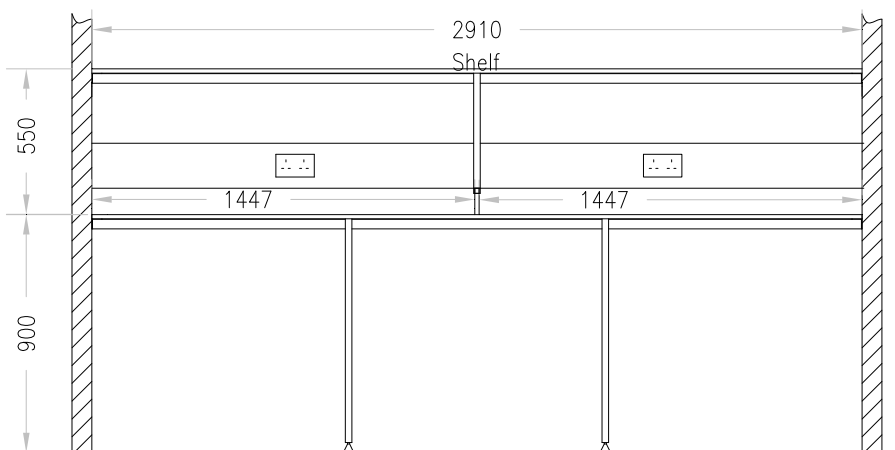




### Cleanroom Trespa Benching

- Any size and configuration
- Trespa or stainless steel
- Support frames stainless steel or powder coated
- Cable holes pre drilled
- Stainless steel fixed levelling feet
- Durable
- Easy to clean
- Resistant to most cleaning products
- Create any variations



Stand At Benching CR4LA Area

All technickon products are manufactured and tested prior to dispatch and are covered by a 12 month warranty from the dispatch date. Full operation and maintenance instructions are supplied as standard with all technickon products. If you require assistance in selecting the best equipment to suit your requirement please do not hesitate to contact us